

EK Serisi Şok Evaporatörler

Şok evaporatörler et, balık ve fırın mamullerinin, soğutma ve dondurulmasında kullanılmaktadır. Şoklama ürünleri çok hızlı bir şekilde dondurarak, ürünlerin daha taze ve uzun süreli saklanmasını sağlamaktadır.

- Şok evaporatörlerimiz T, K ve S olmak üzere 3 ayrı seri olarak tasarlanmıştır.
- 5/8" O.D. dikişsiz bakır boru ve 10 mm hatveli, dalgalı alüminyum fin ile üretilmiştir. İstek halinde 12 mm hatveden de üretilmektedir.
- Standart olarak elektrostatik toz boyalı galvaniz sac kasetleme yapılmakla beraber istek üzerine paslanmaz kasetleme de yapılabilmektedir.
- R404 soğutucu gaz ile -40°C evaporasyon ve -35°C oda sıcaklığı şartlarında 4,5 ile 55 kw aralığında kapasiteye sahiptirler.
- İzalasyonlu ve çift cidarlı tava standart olarak kullanılmaktadır.
- Elektrik defrost sistemi: Batarya, fan, drenaj tavası ve drenaj hattında kullanılan elektrikli defrost sistemi ile ortaya çıkan su kolay bir şekilde tahliye edilmektedir.

EK Series Blast Freezers

Blast freezers are developed to function in cooling and freezing of bakery products, meat and fish. Shock freezing helps to preserve the products with a better quality and for longer time by freezing them very rapidly.

- Blast freezers are designed as 3 different series; as T, K and S.
- Manufactured with 5/8" O.D. seamless copper tube and corrugated aluminum fins with 10 mm fin spacing. Upon request, also produced with 12 mm fin spacing.
- Galvanized steel casing painted with electrostatic white powder.
- Capacities are between 4,5kW to 55 kW for -40°C evaporation temperature and -35°C air inlet temperature condition and R404 refrigerant
- Double-skinned, insulated drain pan
- Electric defrost system: The water occurred in the coil, fans, drain pan and the drain line can be easily discharged with this system.

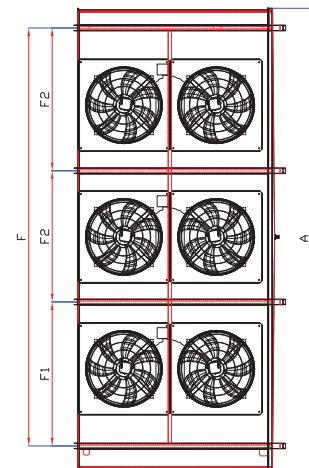
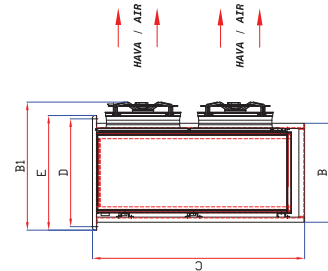
EK Serie Schockfroster

Schockfroster werden zum Kühlen oder Einfrieren von Fleisch-, Fisch-, und Bäckereiprodukte verwendet. Durch die schnelle und effektive Einfrierung können die gelagerten Produkte für längere Zeit ihre Frische behalten.

- Unsere Schockfroster werden als T, K und S in 3 verschiedenen Serien ausgeführt.
- Sie werden mit 5/8" nahtlosen Kupferrohren und gewellten Lamellen mit 10 mm Lamellenabstand hergestellt. Auf Wunsch auch mit einem Lamellenabstand von 12 mm produzierbar.
- Standardmäßig besteht das Gehäuse aus verzinktem Stahlblech und wird anschließend elektrostatisch pulverbeschichtet. Auf Wunsch kann auch Edelstahlblech verwendet werden.
- Leistungsbereich für -40°C Verdampfungstemperatur und -35°C Raumtemperatur mit Kältemittel R404 liegt zwischen 4,5KW und 55 kW.
- Standardmäßig sind die Tropfwannen doppelschichtig und isoliert.
- Elektrisches Abtausystem: Dank diesem System, kann das sich im Ventilator-, Wärmetauscher- und Tropfwannenbereich befindende Wasser ganz einfach ablaufen.

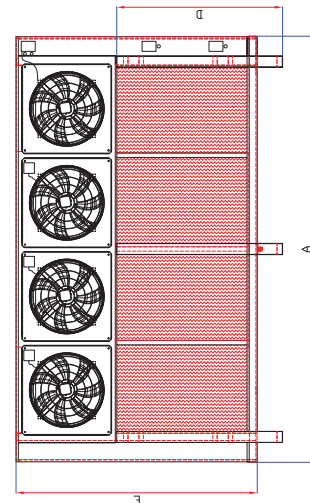
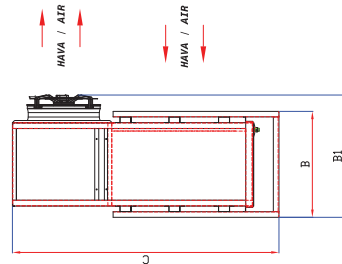
Hatve / Fin Spacing / Lamellenabstand : 10.0 mm

Karyer Model Model	Kapazite / Capacity Leistung R404A			Fan Bilgileri / Fan Data Ventilator Daten						Batarya Bilgileri / Coil Data Wärmetauscher Daten**				Defrost Isitici/ Defrost Heaters Abtauung		Evaporatör Boyutları / Unit Cooler Dimensions Kühler Abmessungen																
	Lamellenabstand Hatve / Fin Spacing mm	kW	m³/h	Nominal Hava Debişi Nominal Air Flow mm	Fan Tipi / Fan Type	Fan Adeti Fan Quantity	Fan Quantity	Cap / Diameter	Schallpegel* See Basing Seviyesi* dBa	Toplam Akım Toplam Current	Toplam Güç Toplam Power	Toplam Alan Toplam Surface	İç Hacim Internal Volume	Giriş / Inlet	Bağlantılar Connections	Cikis / Outlet	Drain Connection	Drain Connection	Toplam Güç Toplam Power	kW	Toplam Güç Toplam Power	W	A	B	B1	C	D	E	F	F1	F2	
																																Te = -31 °C
EK-T-150A10	10,00	4,75	6839	6839	Axial	1	Ø500	54	5,20	0,79	39,06	15,2	1/2"	22R 1 1/2"	7,2	4,0	1260	850	990	1050	950	1000	845	-	-	-	-	-	-	-	-	-
EK-T-150B10	10,00	5,56	6000	6000	Axial	1	Ø500	55	5,20	0,79	52,09	20,3	5/8"	28R 1 1/2"	7,2	4,0	1260	850	990	1050	950	1000	845	-	-	-	-	-	-	-	-	-
EK-T-250A10	10,00	9,64	13678	13678	Axial	2	Ø500	57	10,40	1,58	78,13	30,5	22	35R 1 1/2"	14,4	8,0	2060	850	990	1050	950	1000	1645	845	800	-	-	-	-	-	-	-
EK-T-250B10	10,00	11,22	12000	12000	Axial	2	Ø500	58	10,4	1,58	104,17	40,7	22	35R 1 1/2"	14,4	8,0	2060	850	990	1050	950	1000	1645	845	800	-	-	-	-	-	-	-
EK-T-350A10	10,00	14,76	20517	20517	Axial	3	Ø500	59	15,6	2,37	117,19	45,7	22	35R 1 1/2"	21,6	12,0	2860	850	990	1050	950	1000	2445	845	800	-	-	-	-	-	-	-
EK-T-350B10	10,00	17,32	18000	18000	Axial	3	Ø500	60	15,6	2,37	156,01	60,0	22	35R 1 1/2"	21,6	12,0	2860	850	990	1050	950	1000	2445	845	800	-	-	-	-	-	-	-
EK-T-450A10	10,00	19,26	27038	27038	Axial	4	Ø500	61	20,8	3,16	156,26	61,0	22	42R 1 1/2"	28,8	16,0	3660	850	990	1050	950	1000	3245	845	800	-	-	-	-	-	-	-
EK-T-450B10	10,00	23,38	24000	24000	Axial	4	Ø500	61	20,8	3,16	208,35	81,3	22	42R 1 1/2"	28,8	16,0	3660	850	990	1050	950	1000	3245	845	800	-	-	-	-	-	-	-
EK-T-163A10	10,00	7,64	12594	12594	Axial	1	Ø630	58	3,4	1,94	54,73	20,6	5/8"	28R 1 1/2"	9,0	5,0	1460	850	1095	1150	950	1000	1045	-	-	-	-	-	-	-	-	-
EK-T-163B10	10,00	9,53	11926	11926	Axial	1	Ø630	58	3,4	1,94	73,04	27,8	5/8"	28R 1 1/2"	9,0	5,0	1460	850	1095	1150	950	1000	1045	-	-	-	-	-	-	-	-	-
EK-T-263A10	10,00	15,38	25188	25188	Axial	2	Ø630	61	6,8	3,88	109,87	42,9	22	42R 1 1/2"	18,0	10,0	2460	850	1095	1150	950	1000	2045	1045	1000	-	-	-	-	-	-	-
EK-T-263B10	10,00	19,31	23852	23852	Axial	2	Ø630	61	6,8	3,88	146,07	55,6	22	42R 1 1/2"	18,0	10,0	2460	850	1095	1150	950	1000	2045	1045	1000	-	-	-	-	-	-	-
EK-T-363A10	10,00	22,99	37500	37500	Axial	3	Ø630	63	10,2	5,82	164,18	61,9	22	42R 1 1/2"	27,0	15,0	3460	850	1095	1150	950	1000	3045	1045	1000	-	-	-	-	-	-	-
EK-T-363B10	10,00	29,21	35777	35777	Axial	3	Ø630	63	10,2	5,82	219,11	83,4	28	54R 1 1/2"	27,0	15,0	3460	850	1095	1150	950	1000	3045	1045	1000	-	-	-	-	-	-	-
EK-T-463A10	10,00	30,90	50375	50375	Axial	4	Ø630	64	13,6	7,76	219,74	85,8	28	54R 1 1/2"	36,0	20,0	4460	850	1095	1150	950	1000	4045	1045	1000	-	-	-	-	-	-	-
EK-T-463B10	10,00	37,91	47703	47703	Axial	4	Ø630	64	13,6	7,76	292,99	114,4	28	66R 1 1/2"	36,0	20,0	4460	850	1095	1150	950	1000	4045	1045	1000	-	-	-	-	-	-	-



Hatve / Fin Spacing / Lamellenabstand : 10.0 mm

Karyer Model Model	Kapazität / Capacity Leistung R404A		Fan Bilgileri / Fan Data Ventilator Daten				Batarya Bilgileri / Coil Data Wärmetauscher Daten**			Defrost Isitıcı / Defrost Heaters Abtauung			Evaporatör Boyutları / Unit Cooler Dimensions Kühler Abmessungen																		
	Hatve / Fin Spacing mm	kW	m³/h	Lamellenabstand mm	Nominal Hava Debişi / Nominal Air Flow	Fan Tipi / Fan Type	Fan Adet / Fan Quantity	Cap / Diameter m	Schallpegel / Sound Pressure Level* dBa	Toplam Akım / Total Current kW	Toplam Güç / Total Power W	Toplam Alan / Total Surface m²	İç Hacim / Internal Volume dm³	Giriş / Inlet mm	Çıkış / Outlet mm	Drain Connection	Drain Connection	Toplam Güç / Total Power kW	Toplam Güç / Total Power W	A	B	B1	C	D	E	F	F1	F2			
																													Te = -31 °C	SC4	Sev Basınç Seviyesi* / Sees Basing Seviyesi*
EK-K-250A10	10,00	9,23	13397	13397	Axial	2	Ø500	57	10,4	1,58	73,04	27,8	5/8"	28	R 2"	R 2"	9,0	5,0	1460	850	990	1450	950	1000	1045	-	-	-	-		
EK-K-250B10	10,00	10,72	12000	12000	Axial	2	Ø500	58	10,4	1,58	97,66	38,1	22	35	R 2"	R 2"	9,0	5,0	1460	850	990	1450	950	1000	1045	-	-	-	-		
EK-K-450A10	10,00	18,61	26606	26606	Axial	4	Ø500	61	20,8	3,16	146,07	55,6	22	42	R 2"	R 2"	18,0	10,0	2460	850	990	1450	950	1000	2045	1045	1000	1000	1000	1000	
EK-K-450B10	10,00	22,44	24000	24000	Axial	4	Ø500	61	20,8	3,16	195,37	76,2	22	42	R 2"	R 2"	18,0	10,0	2460	850	990	1450	950	1000	2045	1045	1000	1000	1000	1000	
EK-K-650A10	10,00	28,28	40191	40191	Axial	6	Ø500	63	31,2	4,74	219,11	83,4	28	54	R 2"	R 2"	27,0	15,0	3460	850	990	1450	950	1000	3045	1045	1000	1000	1000	1000	
EK-K-650B10	10,00	33,64	36000	36000	Axial	6	Ø500	63	31,2	4,74	292,67	113,2	28	54	R 2"	R 2"	27,0	15,0	3460	850	990	1450	950	1000	3045	1045	1000	1000	1000	1000	
EK-K-850A10	10,00	36,58	53588	53588	Axial	8	Ø500	64	41,6	6,32	292,99	114,4	28	66	R 2"	R 2"	36,0	20,0	4460	850	990	1450	950	1000	4045	1045	1000	1000	1000	1000	
EK-K-850B10	10,00	45,19	48000	48000	Axial	8	Ø500	64	41,6	6,32	390,65	152,5	28	66	R 2"	R 2"	36,0	20,0	4460	850	990	1450	950	1000	4045	1045	1000	1000	1000	1000	
EK-K-263A10	10,00	17,56	26359	26359	Axial	2	Ø630	61	6,8	3,88	131,84	51,5	22	42	R 2"	R 2"	10,8	6,0	1660	850	1095	2050	950	1000	1245	-	-	-	-	-	
EK-K-263B10	10,00	21,70	25270	25270	Axial	2	Ø630	61	6,8	3,88	175,79	68,6	22	42	R 2"	R 2"	10,8	6,0	1660	850	1095	2050	950	1000	1245	-	-	-	-	-	-
EK-K-463A10	10,00	35,51	52719	52719	Axial	4	Ø630	64	13,6	7,76	263,69	102,9	28	54	R 2"	R 2"	21,6	12,0	2860	850	1095	2050	950	1000	2445	1245	1200	1200	1200	1200	
EK-K-463B10	10,00	43,82	50539	50539	Axial	4	Ø630	64	13,6	7,76	351,58	137,2	28	66	R 2"	R 2"	21,6	12,0	2860	850	1095	2050	950	1000	2445	1245	1200	1200	1200	1200	
EK-K-663A10	10,00	53,46	79078	79078	Axial	6	Ø630	66	20,4	11,64	395,53	154,4	28	66	R 2"	R 2"	32,4	18,0	4060	850	1095	2050	950	1000	3645	1245	1200	1200	1200	1200	
EK-K-663B10	10,00	65,95	75809	75809	Axial	6	Ø630	66	20,4	11,64	527,38	205,9	35	80	R 2"	R 2"	32,4	18,0	4060	850	1095	2050	950	1000	3645	1245	1200	1200	1200	1200	



Hatve / Fin Spacing / Lamellenabstand : 10.0 mm

Karyer Model Model	Kapasite / Capacity Leistung R404A		Fan Bilgileri / Fan Data Ventilator Daten				Batarya Bilgileri / Coil Data Wärmetauscher Daten**			Defrost Isıtıcı / Defrost Heaters Abtauung			Evaporatör Boyutları / Unit Cooler Dimensions Kühler Abmessungen																	
	Lamellenabstand Hatve / Fin Spacing mm	kW	m ³ /h	Nominal Hava Debişi Nominal Air Flow mm	Fan Tipi / Fan Type Ventilator Art	Fan Adeti Fan Quantity mm	Fan Quantity mm	Cap / Diameter Durchmesser	Ses Basıncı Seviyesi* Sound Pressure Level* dBA	Toplam Akım Total Current kW	Toplam Güç Total Power W	Toplam Alan Total Surface m ²	İç Hacim Internal Volume dm ³	Giriş / Inlet Bağlantılar Connections mm	Çıkış / Outlet mm	Drain Connection	Toplam Güç Total Power kW	Drain Connection	Toplam Güç Total Power kW	A	B	B1	C	D	E	F	F1	F2		
																													SC4	Te = -31 °C
EK-S-150A10	10,00	5,16	6947	6947	Axial	1	Ø500	54	5,2	0,79	43,95	17,2	1/2"	22	R 2"	7,2	4,0	1260	960	995	2120	1225	1900	-	-	-	-	-	-	
EK-S-150B10	10,00	6,30	6675	6675	Axial	1	Ø500	54	5,2	0,79	58,60	22,9	5/8"	28	R 2"	7,2	4,0	1260	1060	1095	2120	1225	1900	-	-	-	-	-	-	-
EK-S-250A10	10,00	10,45	13894	13894	Axial	2	Ø500	57	10,4	1,58	87,90	34,3	22	35	R 2"	14,4	8,0	2060	960	995	2120	1225	1900	-	-	-	-	-	-	-
EK-S-250B10	10,00	12,76	13350	13350	Axial	2	Ø500	57	10,4	1,58	117,19	45,7	22	35	R 2"	14,4	8,0	2060	1060	1095	2120	1225	1900	-	-	-	-	-	-	-
EK-S-350A10	10,00	15,75	20841	20841	Axial	3	Ø500	59	15,6	2,37	131,84	51,5	22	42	R 2"	21,6	12,0	2860	960	995	2120	1225	1900	-	-	-	-	-	-	-
EK-S-350B10	10,00	19,27	20025	20025	Axial	3	Ø500	59	15,6	2,37	175,79	68,6	22	42	R 2"	21,6	12,0	2860	1060	1095	2120	1225	1900	-	-	-	-	-	-	-
EK-S-450A10	10,00	20,46	27788	27788	Axial	4	Ø500	60	20,8	3,16	175,12	66,1	22	42	R 2"	28,8	16,0	3660	960	995	2120	1225	1900	-	-	-	-	-	-	-
EK-S-450B10	10,00	25,83	26700	26700	Axial	4	Ø500	60	20,8	3,16	233,72	89,0	22	42	R 2"	28,8	16,0	3660	1060	1095	2120	1225	1900	-	-	-	-	-	-	-
EK-S-163A10	10,00	7,72	12822	12822	Axial	1	Ø630	58	3,4	1,94	58,43	22,2	5/8"	28	R 2"	7,2	4,0	1260	960	1100	2420	1525	2200	-	-	-	-	-	-	-
EK-S-163B10	10,00	9,86	12184	12184	Axial	1	Ø630	58	3,4	1,94	78,13	30,5	22	35	R 2"	7,2	4,0	1260	1060	1200	2420	1525	2200	-	-	-	-	-	-	-
EK-S-263A10	10,00	16,40	25645	25645	Axial	2	Ø630	61	6,8	3,88	117,19	45,7	22	35	R 2"	14,4	8,0	2060	960	1100	2420	1525	2200	-	-	-	-	-	-	-
EK-S-263B10	10,00	19,95	24367	24367	Axial	2	Ø630	61	6,8	3,88	156,26	61,0	22	42	R 2"	14,4	8,0	2060	1060	1200	2420	1525	2200	-	-	-	-	-	-	-
EK-S-363A10	10,00	24,75	38469	38469	Axial	3	Ø630	63	10,2	5,82	175,79	68,6	22	42	R 2"	21,6	12,0	2860	960	1100	2420	1525	2200	-	-	-	-	-	-	-
EK-S-363B10	10,00	30,51	36551	36551	Axial	3	Ø630	63	10,2	5,82	234,39	91,5	28	54	R 2"	21,6	12,0	2860	1060	1200	2420	1525	2200	-	-	-	-	-	-	-
EK-S-463A10	10,00	32,60	51289	51289	Axial	4	Ø630	64	13,6	7,76	234,39	91,5	28	54	R 2"	28,8	16,0	3660	960	1100	2420	1525	2200	-	-	-	-	-	-	-
EK-S-463B10	10,00	40,13	48734	48734	Axial	4	Ø630	64	13,6	7,76	312,52	122,0	28	54	R 2"	28,8	16,0	3660	1060	1200	2420	1525	2200	-	-	-	-	-	-	-

